



IndigoVision



HD Minidome Camera

Seamless open standard High Definition video

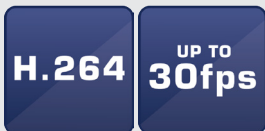
Part of IndigoVision's GX Range, the High Definition (HD) Minidome Camera (GX420) delivers pin sharp detail at 2MP resolution that is fully ONVIF conformant. Any single point of failure in the system is removed through IndigoVision's Distributed Network Architecture (DNA).

Key Features

SENSOR



COMPRESSION



INTELLIGENCE



OTHER



PHYSICAL

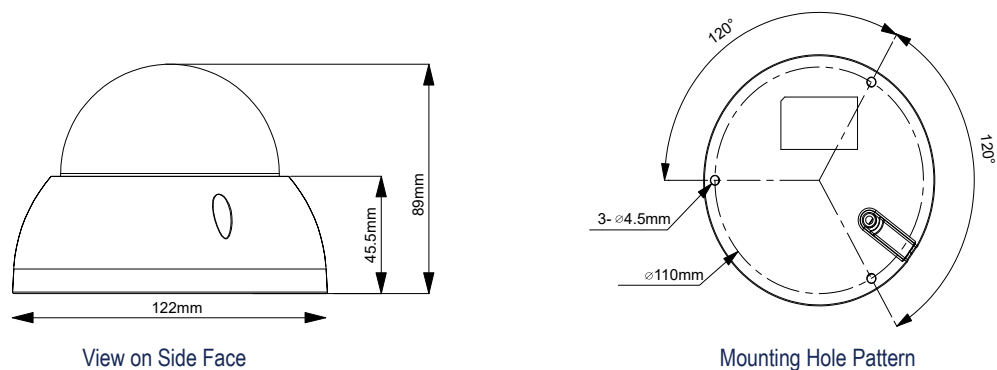


Product Codes

	Camera
GX420 HD Vandal Resistant Minidome with built-in IR illuminator	510440

Product Code 56xxxx also available to order consisting of 51xxxx Product Code plus Enhanced Management Software License.

Dimensions



Specification

Camera Features	
Sensor	1/2.7" Progressive CMOS
Active Pixels (HxV)	2MP (1920 x 1080)
Horizontal Resolution	> 800 TVL
Minimum Sensitivity	Day: 0.1 lux (colour). Night: 0.01 lux (mono). 30 IRE, F1.4, 1/15s shutter
Dynamic Range	WDR > 100dB
Gain Control	Auto/Manual setting across a 40dB range
Back Light Compensation	On/Off
White Balance Mode	Auto
Day/Night	True Day/Night with Mechanical IR Cut Filter
IR Illuminator	Built-in IR Illuminator 850nm wavelength, effective distance >20m
Video Resolution	1920x1080 pixels (1080p); 1280x720 pixels (720p); 704x480 pixels (4SIF); 352x240 pixels (SIF)
Lens Options	Standard: 2.7mm - 12mm, Horizontal view angle 93° (W) 35° (T), F1.4, Vari-focal, M14 mount with Remote Zoom/Focus
Iris Control	Fixed Iris
Shutter	Rolling; Auto from 1/3 to 1/100000 sec
Exposure Control	Auto/Manual/Shutter Priority/Manual Priority
Gimbal Adjustment	3 axis adjustment
Video Compression	Full frame rate, full colour: H.264/MJPEG; up to 30fps @ 1080p resolution
Video Bit Rate	User-configurable bit rates from 56kbps (SIF) up to 8Mbps (HD)
Video Multi-Streaming	Up to 16Mbps total video output; Unlimited multicast connections. Up to four 4Mbps unicast connections; Up to eight 1Mbps unicast connections
Video Multi-Encoder	Two simultaneous resolutions including: up to 1080p (30fps) plus 720p (14fps) or 4SIF (30fps) or SIF (30fps) Or two simultaneous resolutions including: up to 1080p (25fps) plus 720p (25fps) or 4SIF (25fps) or SIF (25fps) Or two simultaneous resolutions including: up to 720p (30fps) plus 720p (30fps) or 4SIF (30fps) or SIF (30fps)
Video Analytics	Motion Detection/Video Tamper
Network Interface	IEEE802.3 and IETF standards: 10/100 Base-T Ethernet, IPv4/IPv6, TCP, UDP, RTP, RTSP, ICMP, IGMP, SNMP, HTTP, HTTPS, SSH, PPPoE, uPnP, QoS, DHCP
Network Security	HTTPS / IP Filter / IEEE 802.1x
Time	NTP client
SD Storage	microSDHC 128GB support (card not included)*
Dimensions/Weight	122mm (dia.) x 89mm (h) and 0.5kg
Regulatory	EN 55032 Class A, EN 61000-3-2, EN 61000-3-3, AS/NZS CISPR 22, FCC Part 15 Subpart B Class A, EN 50130-4, IEC 61000-4-2, IEC 61000-4-3, IEC 61000-4-4, IEC 61000-4-5, IEC 61000-4-6, IEC 61000-4-8, IEC 61000-4-11, EN 55024
Housing	Vandal Resistant, diecast aluminium alloy with polycarbonate dome including 500mm cable bundle
Protection Rating	IP67, IK10 (IEC 62262)
Electrical	PoE (802.3af Class 0) 7W. 12V DC +/- 10%. Power supply ordered separately (Product code: 110068, 130176)
Operating Temperature	-20°C to 50°C
Cold Start	-10°C
IndigoVision Software Requirements	Control Center v14.0 or later
ONVIF	Profile S

* SD Card Storage independent of IndigoVision's NVRs.

Note: Specifications are correct at the datasheet date of issue and are subject to change without prior notice.