



IndigoVision



HD Pan/Tilt Minidome Camera

Seamless open standard High Definition video

Part of IndigoVision's GX Range, the High Definition (HD) Pan/Tilt Minidome Camera (GX420) delivers pin sharp detail at 2MP resolution that is fully ONVIF conformant. Any single point of failure in the system is removed through IndigoVision's Distributed Network Architecture (DNA).

Key Features

SENSOR



COMPRESSION



INTELLIGENCE



OTHER



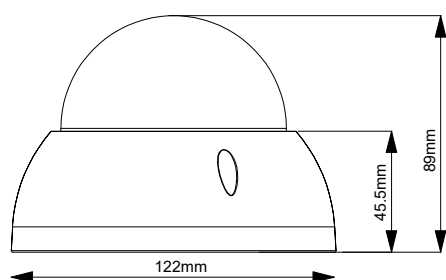
PHYSICAL



Product Codes

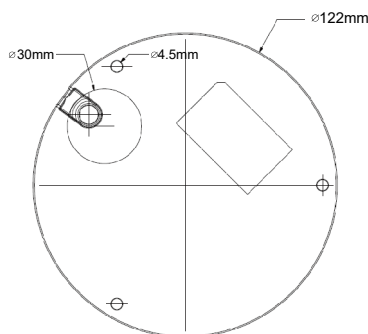
GX420 HD Pan/Tilt Minidome	510441
GX420 HD Pan/Tilt Minidome Wallmount	510442

Dimensions - Minidome Camera



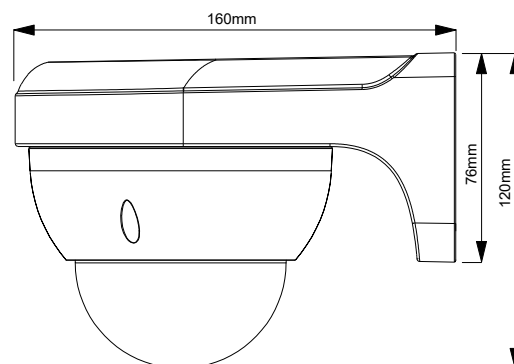
View on Side Face

Dimensions - Mounting Hole Pattern



Mounting Hole Pattern

Dimensions - Minidome w/ Wallmount Bracket



View on Side Face - Camera w/ Wallmount

Specification

Camera Features	
Sensor	1/2.7" Progressive CMOS
Active Pixels (HxV)	2MP (1920 x 1080)
Horizontal Resolution	> 800 TVL
Minimum Sensitivity	Day: 0.1 lux (colour). Night: 0.01 lux (mono). 30 IRE, F1.4, 1/15s shutter
Dynamic Range	WDR > 100dB
Gain Control	Auto/Manual setting across a 40dB range
Back Light Compensation	On/Off
White Balance Mode	Auto
Day/Night	True Day/Night with Mechanical IR Cut Filter
Video Resolution	1920x1080 pixels (1080p); 1280x720 pixels (720p); 704x480 pixels (4SIF); 352x240 pixels (SIF)
Lens Options	2.7mm - 11mm, Horizontal view angle 112.5° (W) 30° (T), F1.6, Vari-focal, M14 mount with Remote Zoom/Focus
Iris Control	Fixed Iris
Shutter	Progressive 1/1 ~ 1/30,000 sec
Exposure Control	Auto/Aperture Priority/Shutter Priority/Gain Priority/Manual
Gimbal Adjustment	2 axis adjustment; suitable for surface mount on ceiling without additional mount; GX420 HD Pan/Tilt Minidome Wallmount order option includes Wallmount bracket
Pan/Tilt	Pan/Tilt functionality is intended for remote positioning during installation and configuration only. It is not intended for operational use to track moving objects.
Pan Range	0° - 355° Rotation
Tilt Range	20° - 90°
Video Compression	Full frame rate, full colour: H.264/MJPEG; up to 30fps @ 1080p resolution
Video Bit Rate	User-configurable bit rates from 56kbps (SIF) up to 8Mbps (HD)
Video Multi-Streaming	Up to 16Mbps total video output; Unlimited multicast connections. Up to four 4Mbps unicast connections; Up to eight 1Mbps unicast connections
Video Multi-Encoder	Two simultaneous resolutions including: up to 1080p (30fps) plus 720p (14fps) or 4SIF (30fps) or SIF (30fps) Or two simultaneous resolutions including: up to 1080p (25fps) plus 720p (25fps) or 4SIF (25fps) or SIF (25fps) Or two simultaneous resolutions including: up to 720p (30fps) plus 720p (30fps) or 4SIF (30fps) or SIF (30fps)
Video Analytics	Motion Detection/Video Tamper
Network Interface	IEEE802.3 and IETF standards: 10/100 Base-T Ethernet, TCP, UDP, RTP, RTSP, HTTP, uPnP, DHCP
Time	NTP client
SD Storage	microSDHC 128GB support (card not included)*
Dimensions/Weight	Camera only: 122mm (dia.) x 89mm (h) and 0.5kg Wallmount: 122mm (dia.) x 76mm (h) x 160mm (l) and 0.5Kg
Regulatory	EN 55022 Class A, EN 61000-3-2, EN 61000-3-3, AS/NZS CISPR 22, FCC Part 15 Subpart B Class A, EN 50130-4, AS/NZS CISPR 24, IEC 61000-4-2, IEC 61000-4-3, IEC 61000-4-4, IEC 61000-4-5, IEC 61000-4-6, IEC 61000-4-8, IEC 61000-4-11
Housing	Diecast aluminium alloy with polycarbonate dome including 500mm cable bundle
Protection Rating	IP67, IK08 (IEC 62262)
Electrical	PoE (802.3af Class 0) 10W. 12V DC +/- 10%. Power supply ordered separately (Product code: 110064, 130176)
Operating Temperature	-20°C to 50°C
Cold Start	-10°C
IndigoVision Software Requirements	Control Center v14.0 or later
ONVIF	Profile S

* SD Card Storage independent of IndigoVision's NVRs.

Note: Specifications are correct at the datasheet date of issue and are subject to change without prior notice.